



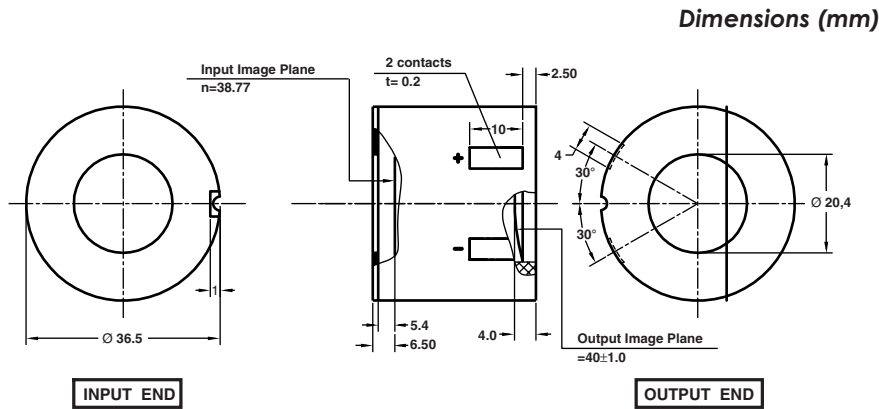
ATN Inverting Image Intensifier Tube

ATN I160-EX • ATN-I160-CG • ATN-I160-HP

The ATN **I160 Series** image intensifier tubes (IITs) are fully compatible and interchangeable for use in all night vision systems that use an inverting tube such as AN/PVS – 6, 9, 6015 models, MUM-14 mini-monocular and various commercial models available from competing manufacturers.

ATN's **I160 Series** 18mm IIT's designed in a compact and Drop in format. They consist of a Multi-Alkaline photocathode, microchannel plate, built-in power supply, flat glass input window and fiber optic twister.

The **I160 Series** is available with a wide array of performance specifications to meet customer requirements.



MAIN PARAMETERS:			
SPECIFICATION	I160-EX	I160-CG	I160-HP
Photocathode Diameter, mm	18	18	18
Photocathode Type	S-25	S-25	S-25
Resolution, lp/mm	40-50	45-57	57-64
Signal to Noise ratio	12-15	16-20	20-23
Photocathode sensitivity, $\mu\text{A}/\text{lm}$	<350		
E.B.I.			
Image magnification	1x	1x	1x
Current consumption, max, mA	16	16	16
Voltage, V	2.8 ± 0.8	2.8 ± 0.8	2.8 ± 0.8
Weight, g	90	90	90
Shock resistance, g	500	500	500
Mean time before failure, hours	10,000	10,000	>10,000
MODULAR TRANSFER FUNCTION			
2.5		0.89	0.92
7.5		0.89	0.8
15		0.4	0.58

MAXIMUM SPOTS ALLOWED IN FIELD OF VIEW:					
Zone Number	Circular zone Dimensions, mm	Maximum diameter of spots			Admitted total Area of defects, mm^2
		Neglected	Admitted		
			Diameter, mm	Quantity	
1	0 - 9,0	0.1	0.15	1	0.15
2	9,0 - 14,5	0.12	0.25	2	0.3
3	14,5 - 18	0.15	0.35	2	0.5

Export of night vision equipment is controlled by the U.S. Department of State, Office of Defense Trade Controls in accordance with International Traffic in Arms (ITAR), Title 22, Code of Federal Regulations Part 120-130 and/or the Export Administration Regulations (EAR) U.S. Department of Commerce. Illegal export of these commodities is strictly prohibited.

American Technologies Network, Corp.

20 S. Linden Ave. #1B, S. San Francisco, CA 94080 USA
 phone: 800-910-2862, 650-875-0130; fax: 650-875-0129, www.atncorp.com

